

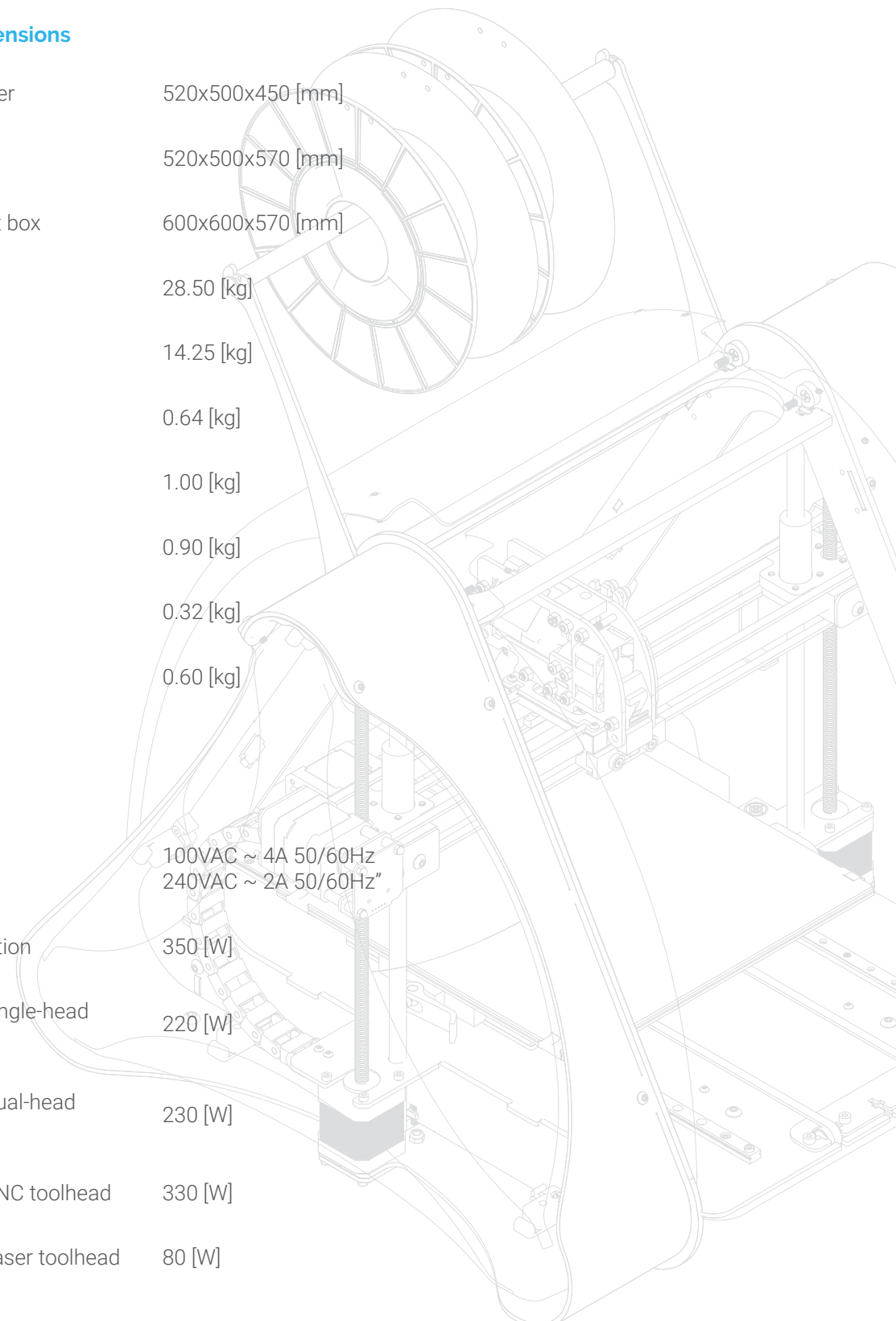
ZMorph VX Multitool 3D Printer Technical Specification

Weight and physical dimensions

Printer without a spool holder	520x500x450 [mm]
Printer with a spool holder	520x500x570 [mm]
Dimensions of the transport box	600x600x570 [mm]
Full set weight	28.50 [kg]
Printer weight	14.25 [kg]
Single-material head weight	0.64 [kg]
Dual-material head weight	1.00 [kg]
CNC head weight	0.90 [kg]
Laser head weight	0.32 [kg]
Thickpaste weight	0.60 [kg]

Electrical parameters

AC Input	100VAC ~ 4A 50/60Hz 240VAC ~ 2A 50/60Hz"
Maximum Power Consumption	350 [W]
Power Consumption with single-head extruder	220 [W]
Power Consumption with Dual-head extruder	230 [W]
Power Consumption with CNC toolhead	330 [W]
Power Consumption with Laser toolhead	80 [W]

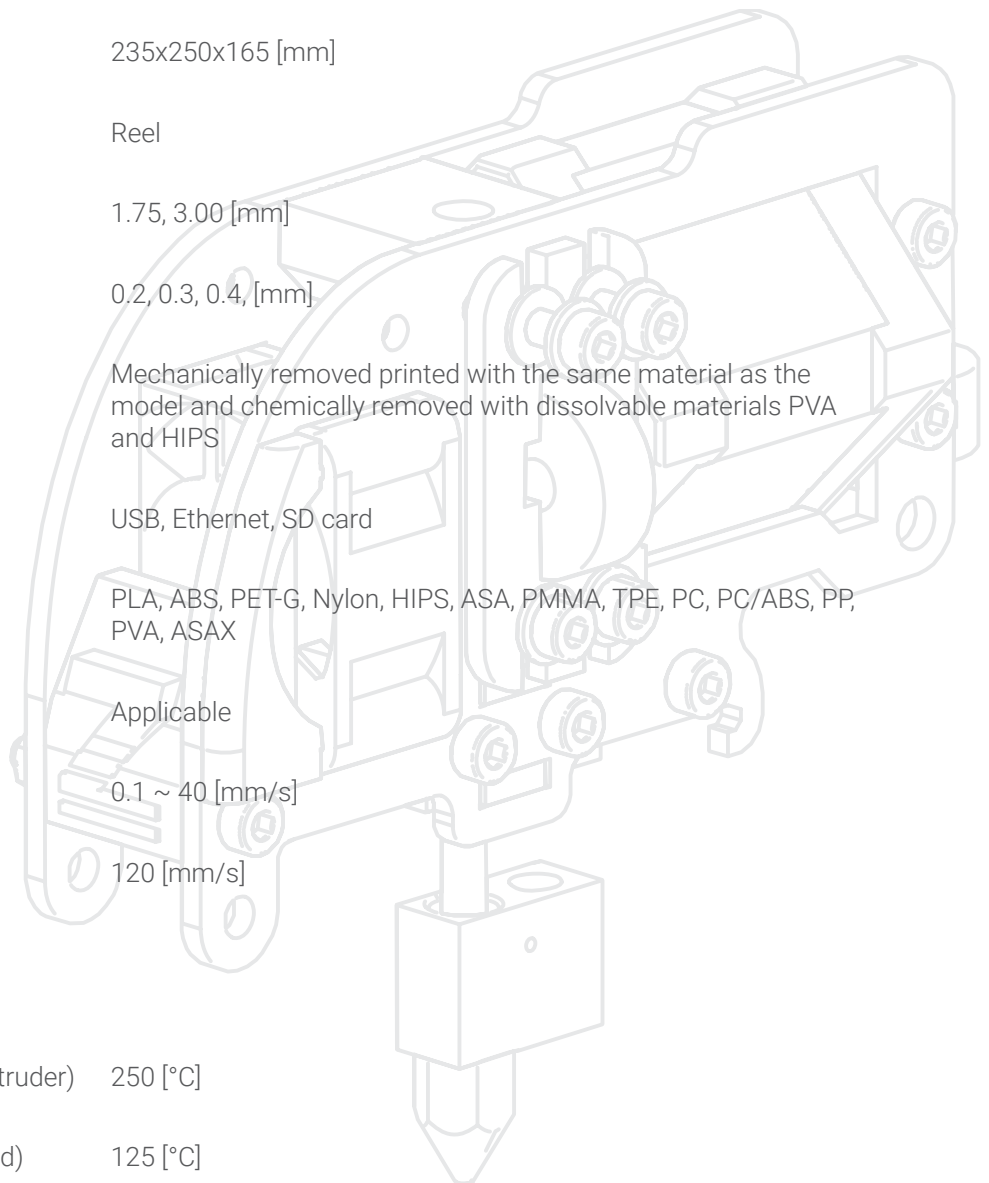


Machine parameters (3D printing)

Printing technology	FFF - (eng. Fused Filament Fabrication)
Toolhead	Single-material 1.75 [mm], Dual-material 1.75 [mm], Single-material 3.00 [mm] *
Layer resolution	0.05 - 0.4 [mm] **
Minimum wall thickness	0.4 [mm] **
Dimensional accuracy	+/- 0.2 [mm]
Work area leveling method	Automatic, Manual
Work area	235x250x165 [mm]
Material container	Reel
Material diameter	1.75, 3.00 [mm]
Nozzle diameter	0.2, 0.3, 0.4, [mm]
Support structures	Mechanically removed printed with the same material as the model and chemically removed with dissolvable materials PVA and HIPS
Connectivity	USB, Ethernet, SD card
Available Materials	PLA, ABS, PET-G, Nylon, HIPS, ASA, PMMA, TPE, PC, PC/ABS, PP, PVA, ASAX
External Materials	Applicable
Work speed	0.1 ~ 40 [mm/s]
Travel speed	120 [mm/s]

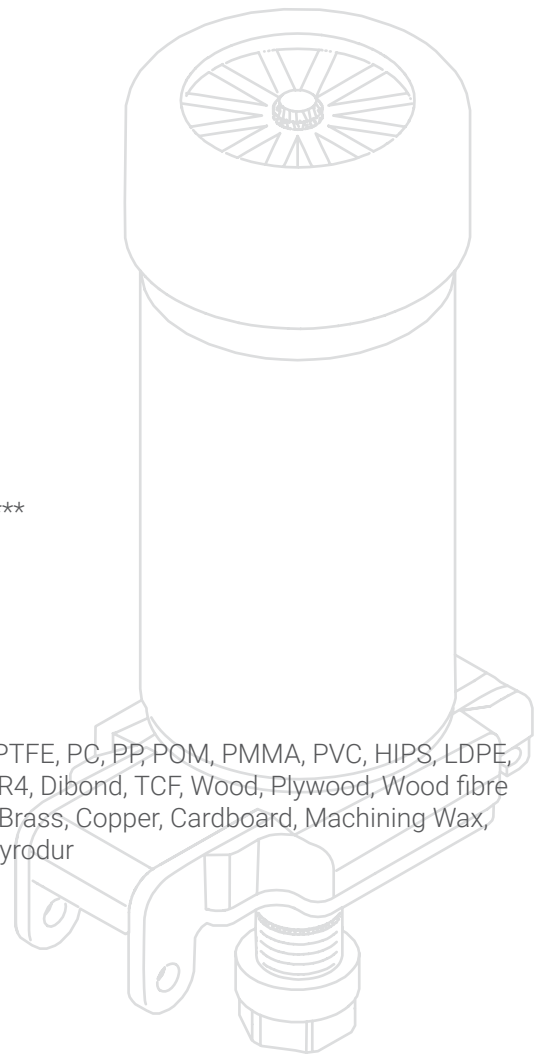
Temperature parameters

Maximum Printing Temperature (extruder)	250 [°C]
Maximum Printing Temperature (Bed)	125 [°C]
Ambient Operation Temperature	15 - 30 [°C]
Storage Temperature	0 - 35 [°C]



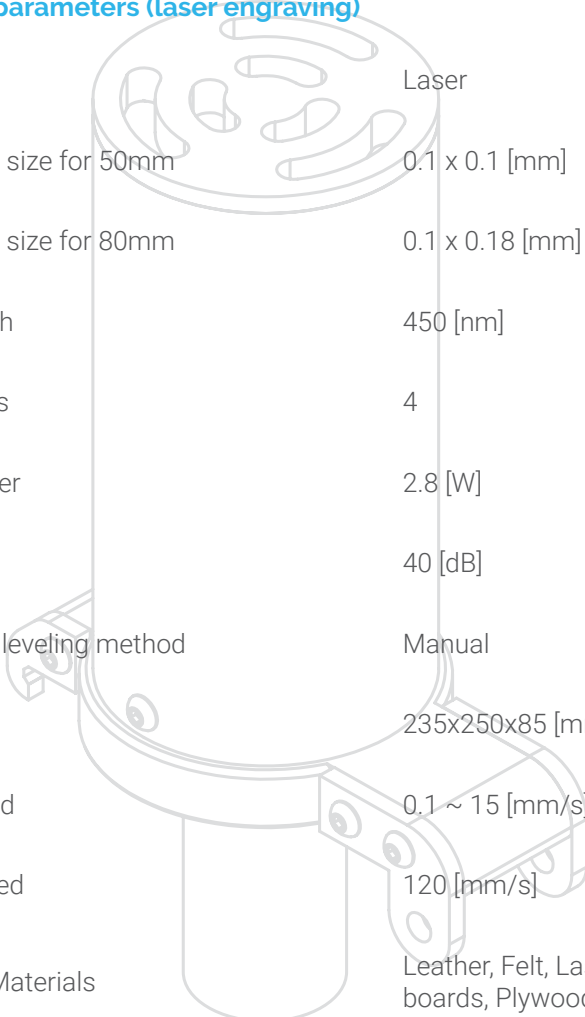
Machine parameters (milling)

Toolhead	CNC spindle
Spindle max power	300 [W]
Noise	70 [dB]
Work area leveling method	Manual
Work area	235x250x85 [mm] ***
Work speed	0.1 ~ 20 [mm/s]
Travel speed	120 [mm/s]
Available Materials	ABS, Nylon, HDPE, PTFE, PC, PP, POM, PMMA, PVC, HIPS, LDPE, PET, Carbon, CCL FR4, Dibond, TCF, Wood, Plywood, Wood fibre boards, Aluminum, Brass, Copper, Cardboard, Machining Wax, Modelling Board, Styrodur
Collet	ER-11



Machine parameters (laser engraving)

Toolhead	Laser
Laser spot size for 50mm	0.1 x 0.1 [mm]
Laser spot size for 80mm	0.1 x 0.18 [mm]
Wavelength	450 [nm]
Laser class	4
Laser power	2.8 [W]
Noise	40 [dB]
Work area leveling method	Manual
Work area	235x250x85 [mm]
Work speed	0.1 ~ 15 [mm/s]
Travel speed	120 [mm/s]
Available Materials	Leather, Felt, Laser Foil, Cardboard, Foamiran, Wood fibre boards, Plywood, Wood, EPP, EVA Foam



Software

Software Bundle

Voxelizer

Supported File Types

.stl, .obj, .step, .dxf, .png, .bmp

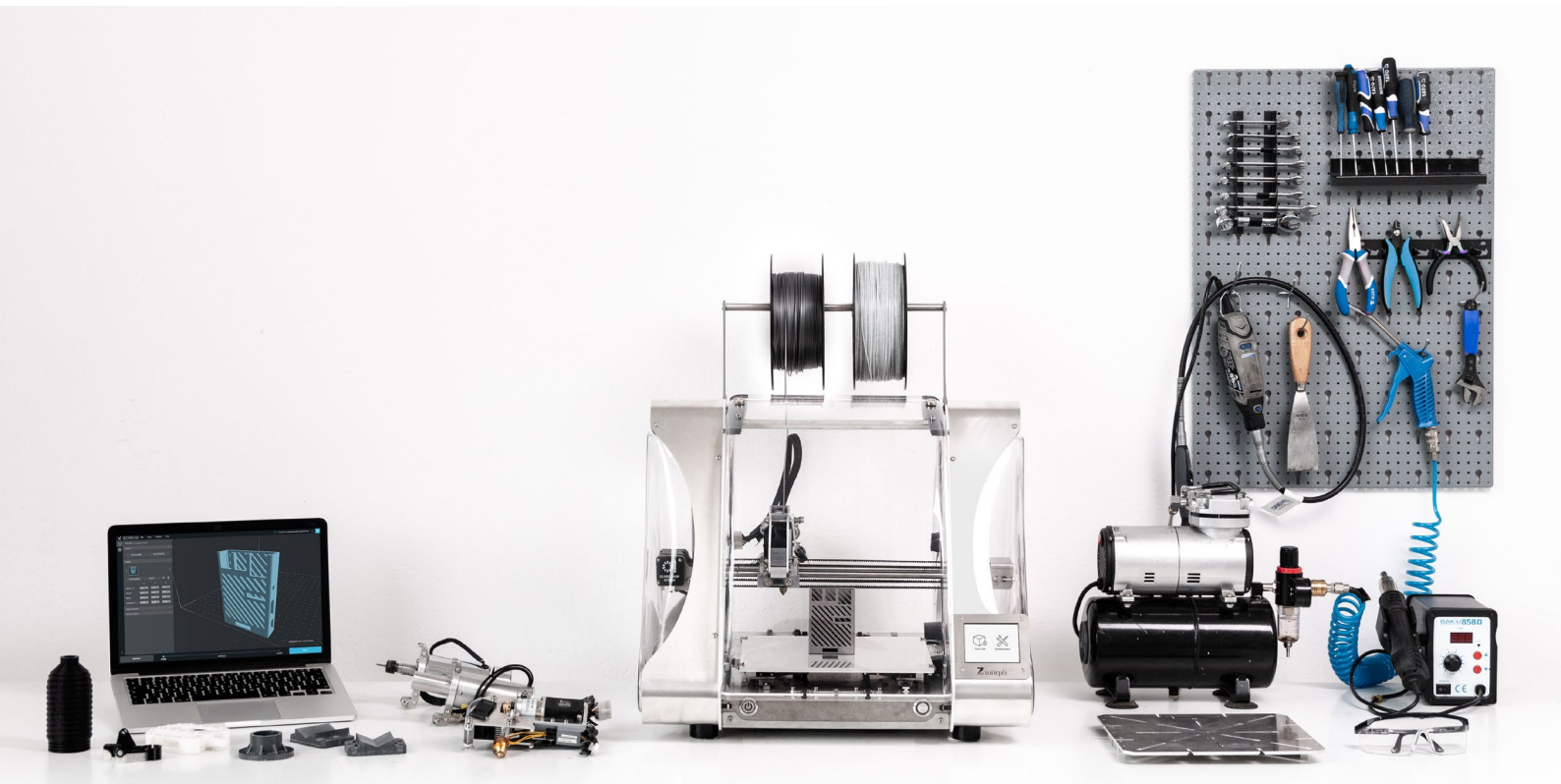
Supported Operating Systems

Windows 7/10 / Mac OS / Linux

* Available on special order

** Depending on the diameter of the nozzle

*** depending on the mounted endmill



Zmōrph